

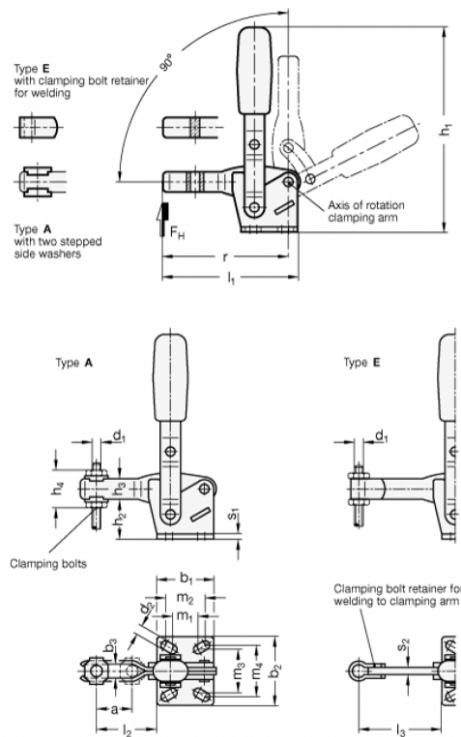
Data Sheet



Article number: 20810230ENI

Description: E+G Klee vertical clamp, stainless steel
GN 810-230-E-NI

Measures



b1 = 43	Holding force N = 2200	s1 = 3
b2 = 45	l1 = 112	s2 = 6
d1 = M8	l3 = 73	Size = 230
d2 = 6.5	m1 = 19	
h1 = 168	m2 = 20	
h2 = 33.5	m3 = 32	
h3 = 18	m4 = 32	
h4 = 31	r = 104	